

Archi

WHAT AN ARCHI-TECTURE

In an audiovisual furniture industry where everything has become standardized, ERARD adds its own special touch of wildness. Really stylish with its minimalistic look, Archi goes for vivid colors, black, red, white or green, in both manual and motorized TWIST® swivel configuration, or simply floating stands, with or without doors. A good opportunity to freshen up your home decoration!



Archi, a brand NEW TV stands range based on consumer needs

On the basis of consumer studies, ERARD has identified new expectations for flat screen stands: products that are practical, stylish and that blend perfectly into the home and interior designs.



MODULARITY

4 product architectures



Floating



2-Shelves TV Column Stand with lateral enclosures



Floating with lateral enclosures



3-Shelves TV Column Stand with lateral enclosures

I don't want to spend my entire Sunday assembling it

Quick assembly

Simple 30 minute assembling process in its most basic configuration

I want a reassuring, more stable stand

Reliability

Perfect stability and reliability thanks to the width of its legs

I want a more mobile stand with wheels, easy to move around

Mobility assistance system

Easy to move around thanks to its hidden multi-axis wheels

Practicality

Plenty of space to house 4 components / devices or more

Solidity

Steel for the back structure.
Max weight : 80 kg for the upper shelf and 50 kg on versions with column

Clever

All Archi furniture is designed to be compatible with ERARD accessories to enhance flat screens (pages 33-35).

DECORATION

To match current decoration trends, it is available with lateral enclosures and doors in black, red, white and green and also in wood finish.



Archi

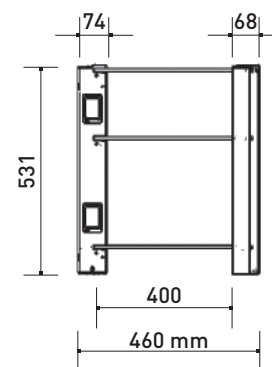
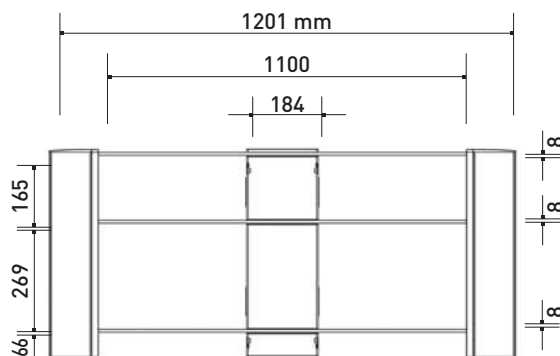
- 3-SHELF TV STAND
- 2 models:
 - 3 black shelves : Ref. 36200
 - 2 black shelves + 1 red shelf: Ref. 36201
- Room for 4 components or more
- Cable Management System
- Wheels



Ref.	036200
GENCOD	318528 036200 4



Ref.	036201
GENCOD	318528 036201 1



26" - 50"



80 KG

- Aluminium legs painted in black powder-coated epoxy
- 3 component shelves in black lacquered tempered glass (Ref. 36200) or 2 component shelves in black lacquered tempered glass and 1 in red glass glass (Ref. 36201): 8 mm thick
- Max weight on the middle shelf: 30 kg

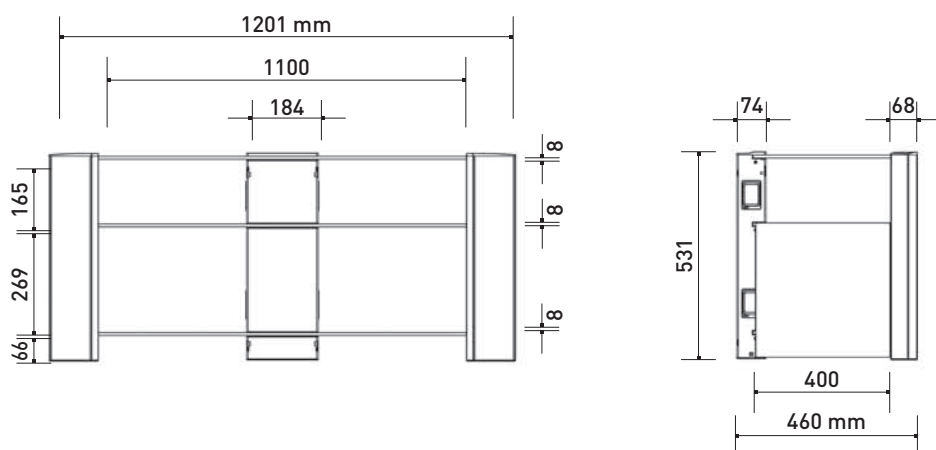
Guaranteed 10 years

Archi

- 3-SHELF TV STAND WITH LATERAL ENCLOSURES
- Black finish
- Room for 4 components or more
- Cable Management System
- Wheels



Ref.	036220
GENCOD	318528 036220 2



26" - 50"



80 KG

- Aluminium legs painted in black powder-coated epoxy
- Component shelves in black lacquered tempered glass: 8 mm thick
- Aluminium side covers painted in black powder-coated epoxy
- Max weight on the middle shelf: 30 kg

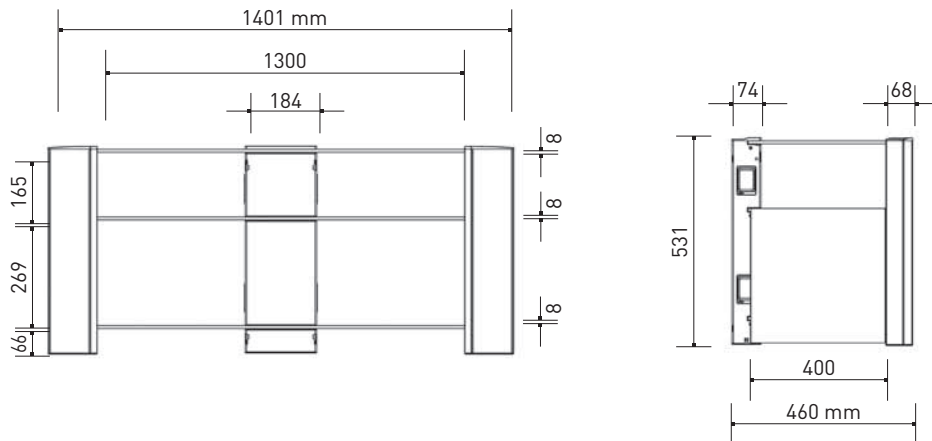
Guaranteed 10 years

Archi XL

- 3-SHELF TV STAND WITH LATERAL ENCLOSURES
- Black finish
- Room for 6 components or more
- Cable Management System
- 130 cm long TV stand suitable for large TV screens
- Wheels



Ref.	036270
GENCOD	318528 036270 7



30" - 60"



80 KG

- Aluminium legs in black powder-coated epoxy paint
- Component shelves in black lacquered tempered glass: 8 mm thick
- Aluminium side covers in black powder-coated epoxy paint
- Max weight on the middle shelf: 30 kg

Guaranteed 10 years

Archi

- 3-SHELF TV STAND WITH LATERAL ENCLOSURES AND DOORS
- Black finish (Ref. 36242), Red finish (Ref. 36240), White finish (Ref. 36245) or Green finish (Ref. 36241)
- Room for 4 components or more
- Cable Management System
- Wheels



Ref.	036242
GENCOD	318528 036242 4



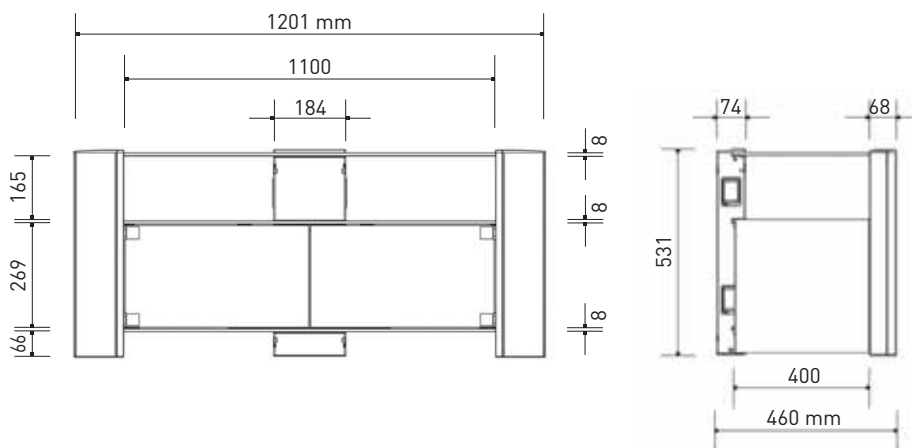
Ref.	036240
GENCOD	318528 036240 0



Ref.	036245
GENCOD	318528 036245 5



Ref.	036241
GENCOD	318528 036241 7



26" - 50"



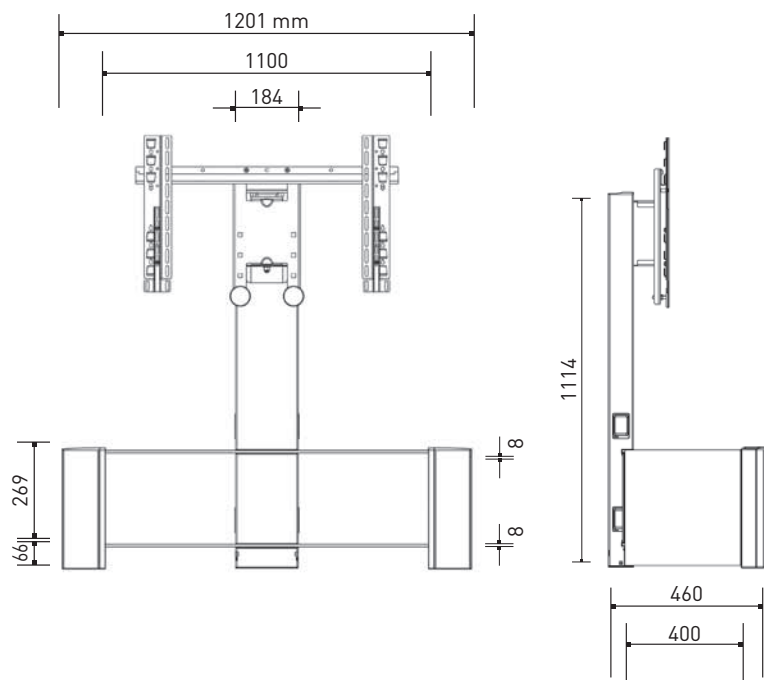
80 KG

- Aluminium legs in black powder-coated epoxy paint
- Component shelves in black lacquered tempered glass: 8 mm thick
- Lacquered tempered glass doors, "Touch latch" opening system. Black finish (Ref. 36242), Red finish (Ref. 36240), White finish (Ref. 36245) or Green finish (Ref. 36241)
- Aluminium side covers in black powder-coated epoxy paint
- Black Rear Panel
- Opening that allows proper air circulation and prevents heat build-up
- Max weight on the middle shelf: 30 kg

Guaranteed 10 years

Archi

- 2-SHELF TV COLUMN STAND WITH LATERAL ENCLOSURES –MANUAL SWIVEL
- Manual screen swiveling to watch television from wherever you are in the room
- Black finish
- Room for 4 components or more
- Cable Management System
- Wheels



Ref. 036120

GENCOD 318528 036120 5



+/-20°



VESA
Up to 800



30° - 50°



50 KG

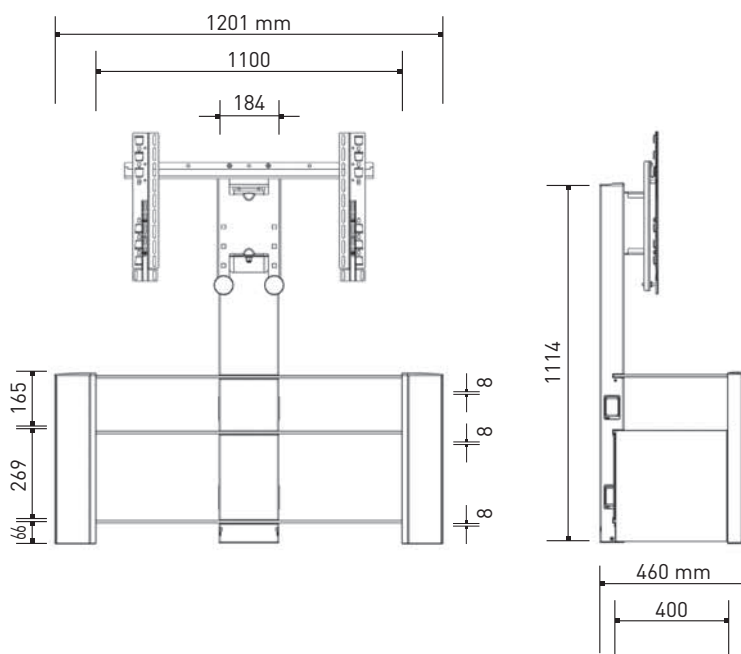
- 3 positions to adjust the screen height
- Manual pan adjustment: +/- 2°
- Aluminium legs in black powder-coated epoxy paint
- Component shelves in black lacquered tempered glass: 8 mm thick
- Steel column in black powder-coated epoxy paint
- Aluminium side covers in black powder-coated epoxy paint
- Horizontal center-to-center distance: mini. = 5 cm, maxi. = 80 cm
- Vertical center-to-center distance: mini. = 5 cm, maxi. = 54.5 cm
- Max weight per shelf: 30 kg

Guaranteed 10 years

Archi

•3-SHELF TV COLUMN STAND WITH LATERAL ENCLOSURES - MANUAL SCREEN SWIVEL

- Black finish
- Manual screen swiveling to watch television from wherever you are in the room
- Room for 6 components or more
- Cable Management System
- Wheels



Ref.	036320
GENCOD	318528 036320 9



VESA
Up to 800



30" - 50"



50 KG

- 3 positions to adjust the screen height
- Manual pan adjustment: +/- 2°
- Aluminium legs in black powder-coated epoxy paint
- Component shelves in black lacquered tempered glass: 8 mm thick
- Steel column in black powder-coated epoxy paint
- Aluminium side covers in black powder-coated epoxy paint
- Opening that allows proper air circulation and prevents heat build-up
- Horizontal center-to-center distance: mini. = 5 cm, maxi. = 80 cm
- Vertical center-to-center distance: mini. = 5 cm, maxi. = 54.5 cm
- Max weight per shelf: 30 kg

Guaranteed 10 years

Archi

- 3-SHELF TV COLUMN STAND WITH LATERAL ENCLOSURES AND DOORS - MANUAL SCREEN SWIVEL
- Black finish (Ref. 36342), red finish (Ref. 36340), white finish (Ref. 36344), or green finish (Ref. 36341)
- Manual screen swiveling to watch television from wherever you are in the room
- Room for 4 components or more
- Cable Management System
- Wheels



Ref.	036342
GENCOD	318528 036342 1



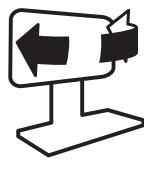
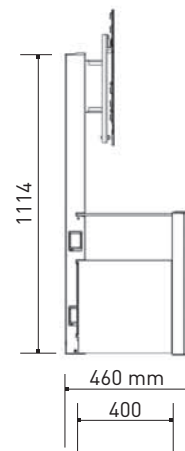
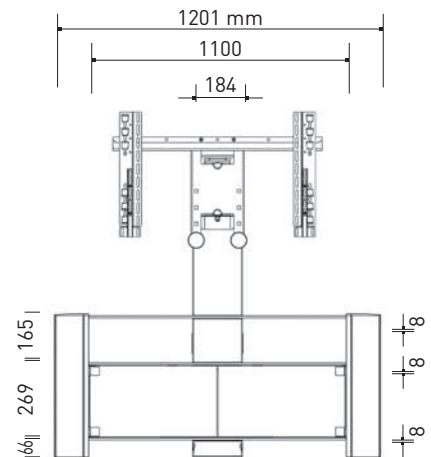
Ref.	036340
GENCOD	318528 036340 7



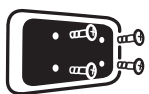
Ref.	036344
GENCOD	318528 036344 5



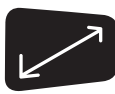
Ref.	036341
GENCOD	318528 036341 4



+/- 2°



VESA
Up to 800



30" - 50"



50 KG

- 3 positions to adjust the screen height
- Manual pan adjustment: +/- 2°
- Aluminium legs in black powder-coated epoxy paint
- Upper component shelf in black lacquered tempered glass: 8 mm thick
- Steel column in black powder-coated epoxy paint
- Middle shelf in black (Ref. 36342) red (Ref. 36340), white (Ref. 36344), green (Ref. 36341) lacquered tempered glass: 8 mm thick
- Black (Ref. 36342), red (Ref. 36340), white (Ref. 36344), green (Ref. 36341) lacquered tempered glass doors, "Touch latch" opening system
- Aluminium side covers in black powder-coated epoxy paint
- Black Rear Panel
- Opening that allows proper air circulation and prevents heat build-up
- Horizontal center-to-center distance: mini. = 5 cm, maxi. = 80 cm
- Vertical center-to-center distance: mini. = 5 cm, maxi. = 54.5 cm
- Max weight per shelf: 30 kg

Guaranteed 10 years

Archi

- TV STAND WITH LATERAL ENCLOSURES AND DOORS – WITH OR WITHOUT COLUMN
- 2 finishes: Walnut Finish (Ref.36291– Ref.36391) or Charcoal-gray finish (Ref. 36290 - Ref.3 6390)
- Manual screen swiveling to watch television from wherever you are in the room (Ref.36390 – Ref.36391)
- Room for 4 components or more
- Cable Management System
- Wheels



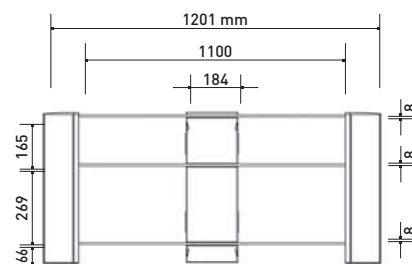
3-Shelf TV Stand with lateral enclosures and doors - Walnut Finish

Ref.	036291
GENCOD	318528 036291 2



3-Shelf TV Stand with lateral enclosures and doors -Charcoal-gray finish

Ref.	036290
GENCOD	318528 036290 5



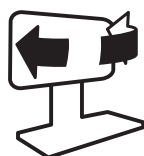
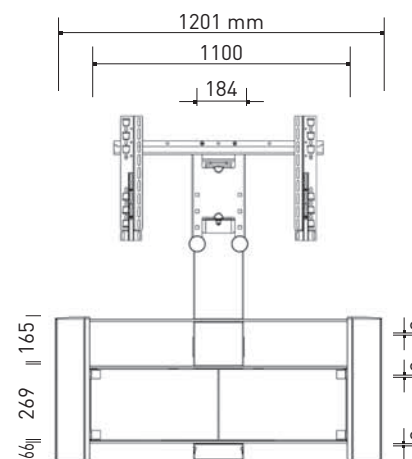
3-Shelf TV Column Stand with lateral enclosures and doors – manual swiveling - Walnut Finish

Ref.	036391
GENCOD	318528 036391 9



3-Shelf TV Column Stand with lateral enclosures and doors – manual swiveling - Charcoal - gray finish

Ref.	036390
GENCOD	318528 036390 2



Ref. 36390
Ref. 36391
+/-20°



Ref. 36390
Ref. 36391
VESA
Up to 800



Ref. 36290
Ref. 36291
26" - 50"
Ref. 36390
Ref. 36391
30" - 50"



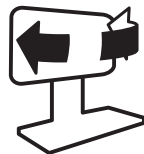
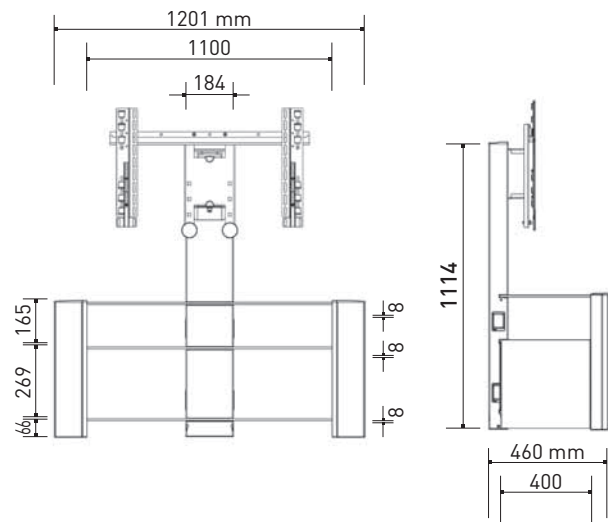
Ref. 36290
Ref. 36291
80 KG
Ref. 36390
Ref. 36391
50 KG

Guaranteed 10 years

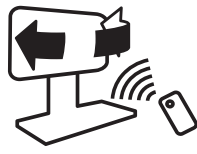
- 3 positions to adjust the screen height (Ref.36390 – Ref.36391)
- Manual pan adjustment: +/- 2° (Ref. 36390 – Ref. 36391)
- Aluminium legs in black powder-coated epoxy paint with stratified facing in walnut finish (Ref. 36291- Ref. 36391) or charcoal-grey finish (Ref. 36290- Ref. 36390)
- Component shelves in black lacquered tempered glass: 8 mm thick
- Steel column in black powder-coated epoxy paint
- 2 close-grained doors in walnut finish (Ref. 36291 - Ref. 36391) or charcoal-grey finish (Ref. 36290 - Ref. 36390), "Touch latch" opening system
- Aluminium side covers in black powder-coated epoxy paint
- Black Rear Panel
- Opening that allows proper air circulation and prevents heat build-up
- Horizontal center to center distance: mini. = 5 cm, maxi. = 80 cm (Ref. 36390 – Ref. 36391)
- Vertical center to center distance: mini. = 5 cm, maxi. = 54.5 cm (Ref. 36390 – Ref. 36391)
- Max weight on middle shelf: 30 kg

Archi

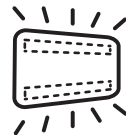
- 3-SHELF TV COLUMN STAND WITH LATERAL ENCLOSURES
- 3 models :
 - Manual swivel and Light Motion® : Ref. 36323
 - Motorized swivel TWIST® : Ref. 36324
 - Motorized swivel TWIST® and Light Motion® : Ref. 36325
- Manual rotation (Ref. 36323) or motorized TWIST® (Ref. 36324 – Ref. 36325) screen swiveling to watch television from wherever you are in the room



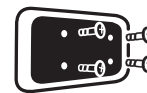
Ref. 36323
+/- 20°



Ref. 36324
Ref. 36325
+/- 25°



Ref. 36323
Ref. 36325



Ref. 36324
Ref. 36325
VESA
Up to 800



30" - 50"



50 KG

Guaranteed 10 years. Motorization components and LIGHT MOTION® components are guaranteed 2 years.

- LIGHT MOTION® ambient lighting (Ref. 36323 - Ref. 36325)
- Black finish
- Room for 6 components or more
- Cable Management System
- Wheels



LIGHT MOTION®
Ref. 36323 - Ref. 36325



TWIST®
Ref. 36324 - Ref. 36325

Archi manual swivel LIGHT	Ref.	036323
	GENCOD	318528 036323 0
Archi TWIST®	Ref.	036324
	GENCOD	318528 036324 7
Archi TWIST® and LIGHT	Ref.	036325
	GENCOD	318528 036325 4

- 3 positions to adjust the screen height
- Manual pan adjustment: +/- 2°
- Aluminium legs in black powder-coated epoxy paint
- Component shelves in black lacquered tempered glass: 8 mm thick
- Steel column in black powder-coated epoxy paint
- Aluminium side covers in black powder coated epoxy paint
- Motorized TWIST® +/- 25° (Ref. 36324 - Ref. 36325) or manual +/- 20° (Ref. 36323) rotation of the screen
- Horizontal center-to-center distance: mini. = 5 cm, maxi. = 80 cm
- Vertical center-to-center distance: mini. = 5 cm, maxi. = 54.5 cm
- LIGHT MOTION®System: remote-controlled ambient lighting. 2 diode strips (Ref. 36323 - Ref. 36325). Automatic color variations. Adjustable colors intensity and speed variation. Colors vary depending on sound depth. Recall key for 4 programmed preferences
- Max weight per shelf: 30 kg