

## Louis

### THE NEW JEWEL CASE FOR YOUR FLAT SCREEN

A true multimedia platform, the LOUIS unit brings together various peripherals and offers a high volume of storage. With its unique and streamlined design, it conceals an integrated connection strip, to directly connect all roaming devices.



## Louis

- A FURNITURE SYSTEM WITH CONNECTION STRIP AND HEIGHT AND DEPTH ADJUSTABLE SHELVES
- 3 finishes: aluminium, black or white
- 3 structures:
  - Pedestal stand
  - Column with manual screen swivel
  - Column with motorized TWIST® screen swivel
- Available assembled or non-assembled
- Manual rotation or motorized TWIST® screen swivel to watch TV wherever you are in the room
- Connection strip on front allows quick connections for MP3 players, cameras, computers etc...
- Cables concealed in the column
- Management system for electrical cables (mains, power strips...) screen connections and peripherals in the column and LIGHT MOTION® ambient lighting (on LIGHT® models)
- Room for 4 components
- Height and depth adjustable shelves, adapts to most component systems and home theaters



Connection strip (all models)



Motorized screen swivel (on TWIST® models)



**NEW!**  
AVAILABLE IN 3 FINISHES BLACK ,  
WHITE, ALUMINIUM  
AVAILABLE IN ASSEMBLED  
OR NON-ASSEMBLED



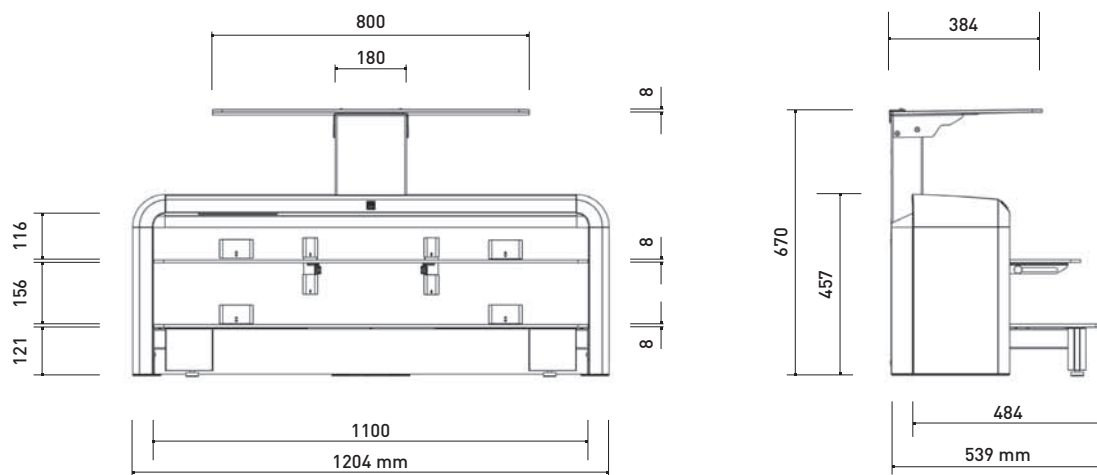
Ambient lighting (on LIGHT MOTION® models)



### Pedestal stand

Aluminium finish

Also available in white and black finishes

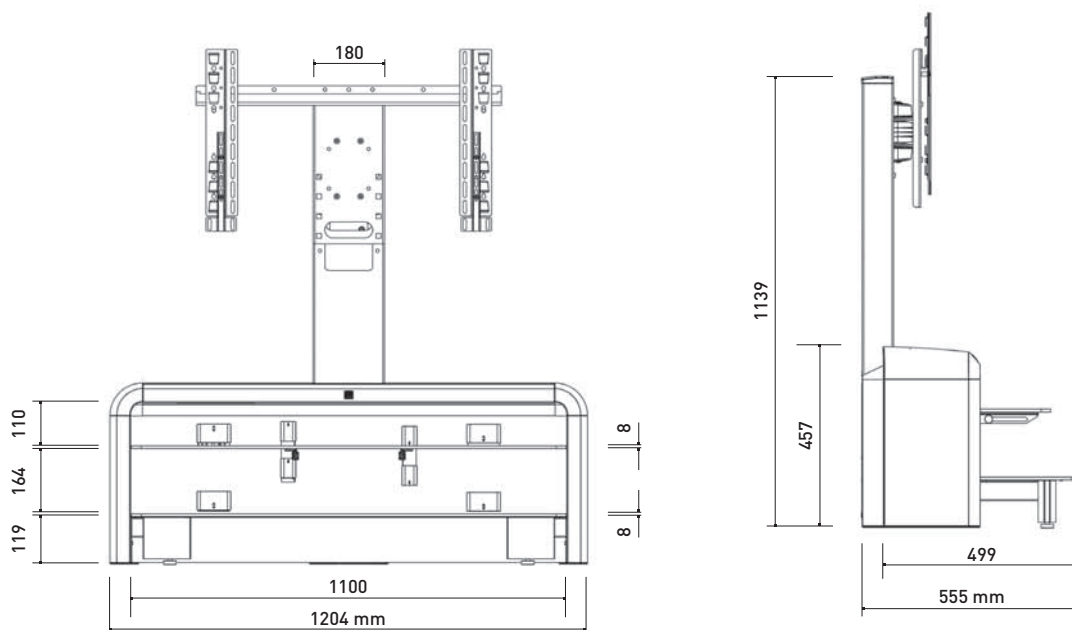




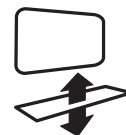
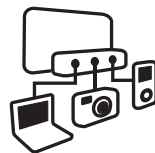
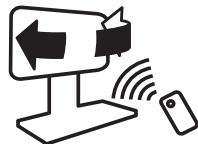
### Stand with column

Aluminium finish

Also available in white and black finishes



NON ASSEMBLED REFERENCES	Aluminium		Black		White	
	Ref.		Ref.		Ref.	
Louis Motorized TWIST® rotation & LIGHT®	Ref.	<b>002569</b>	Ref.	<b>002657</b>	Ref.	<b>002664</b>
	GENCOD	318528 002569 5	GENCOD	318528 002657 9	GENCOD	318528 002664 7
Louis manual swivel & LIGHT®	Ref.	<b>002568</b>	Ref.	<b>002658</b>	Ref.	<b>002665</b>
	GENCOD	318528 002568 8	GENCOD	318528 002658 6	GENCOD	318528 002665 4
Louis manual swivel	Ref.	<b>002577</b>	Ref.	<b>002659</b>	Ref.	<b>002666</b>
	GENCOD	318528 002577 0	GENCOD	318528 002659 3	GENCOD	318528 002666 1
Louis & LIGHT®	Ref.	<b>002567</b>	Ref.	<b>002662</b>	Ref.	<b>002667</b>
	GENCOD	318528 002567 1	GENCOD	318528 002662 3	GENCOD	318528 002667 8
Louis	Ref.	<b>002576</b>	Ref.	<b>002663</b>	Ref.	<b>002668</b>
	GENCOD	318528 002576 3	GENCOD	318528 002663 0	GENCOD	318528 002668 5



Aluminium  
Ref. 2577  
Ref. 2568  
Ref. 2654  
Ref. 2653

Aluminium  
Ref. 2569  
Ref. 2552

Black  
Ref. 2659  
Ref. 2658  
Ref. 2644  
Ref. 2647

Black  
Ref. 2657  
Ref. 2649

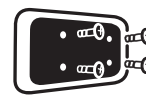
White  
Ref. 2666  
Ref. 2665  
Ref. 2645  
Ref. 2646

White  
Ref. 2664  
Ref. 2648

Aluminium  
Ref. 2567  
Ref. 2568  
Ref. 2655  
Ref. 2653  
Ref. 2652

Black  
Ref. 2662  
Ref. 2658  
Ref. 2657  
Ref. 2671  
Ref. 2647  
Ref. 2649

White  
Ref. 2667  
Ref. 2665  
Ref. 2664  
Ref. 2672  
Ref. 2646  
Ref. 2648



Up to  
800x540 mm



Pedestal stand  
models  
26" - 50"  
Stand with  
column models  
30" - 50"



60 KG

Guaranteed 10 years. Motorization, LIGHT MOTION® and connecting components are guaranteed 2 years

ASSEMBLED REFERENCES	Aluminium		Black		White	
	Ref.		Ref.		Ref.	
Louis Motorized TWIST® rotation & LIGHT®	Ref.	<b>002652</b>	Ref.	<b>002649</b>	Ref.	<b>002648</b>
	GENCOD	318528 002652 4	GENCOD	318528 002649 4	GENCOD	318528 002648 7
Louis manual swivel & LIGHT®	Ref.	<b>002653</b>	Ref.	<b>002647</b>	Ref.	<b>002646</b>
	GENCOD	318528 002653 1	GENCOD	318528 002647 0	GENCOD	318528 002646 3
Louis manual swivel	Ref.	<b>002654</b>	Ref.	<b>002644</b>	Ref.	<b>002645</b>
	GENCOD	318528 002654 8	GENCOD	318528 002644 9	GENCOD	318528 002645 6
Louis & LIGHT®	Ref.	<b>002655</b>	Ref.	<b>002671</b>	Ref.	<b>002672</b>
	GENCOD	318528 002655 5	GENCOD	318528 002671 5	GENCOD	318528 002672 2
Louis	Ref.	<b>002656</b>	Ref.	<b>002642</b>	Ref.	<b>002643</b>
	GENCOD	318528 002656 2	GENCOD	318528 002642 5	GENCOD	318528 002643 2

- Manual pan adjustment : +/- 2° (on models with column)
- 6 positions to adjust the screen height (on models with column)
- Upper adjustable cover to easily access the connection strip and to hide the connection cables behind the components
- LIGHT MOTION® system:
  - ambient lighting system managed by remote control
  - 2 LED strips
  - Automatic color variation function Adjustment of colour, intensity and variation speeds
  - Variation of colors according to sound intensity
  - 4 lighting preferences stored (on LIGHT® models)
- 2 height adjustable front feet
- Component shelves in black tempered lacquered glass: 8 mm thick
- Furniture frame in lacquered aluminium, black or white (depending on the models)
- Column in black grained epoxy painted steel
- Horizontal distance between fixing points: min. = 5 cm, max. = 81 cm
- Vertical distance between fixing points : min. = 5 cm, max. = 54.5 cm
- Max weight per shelf: 50 kg

Guaranteed 10 years. Motorization, LIGHT MOTION® and connecting components are guaranteed 2 years