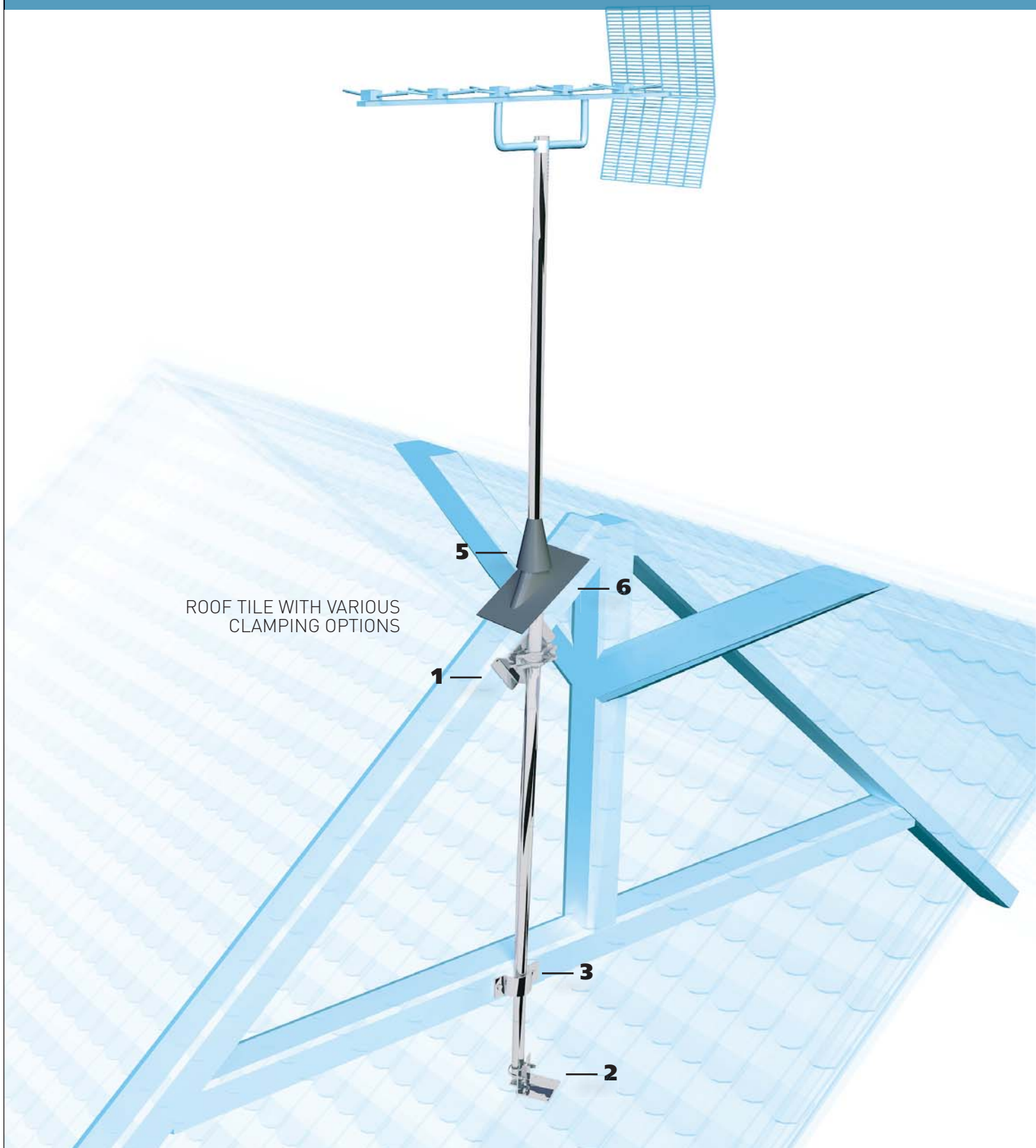
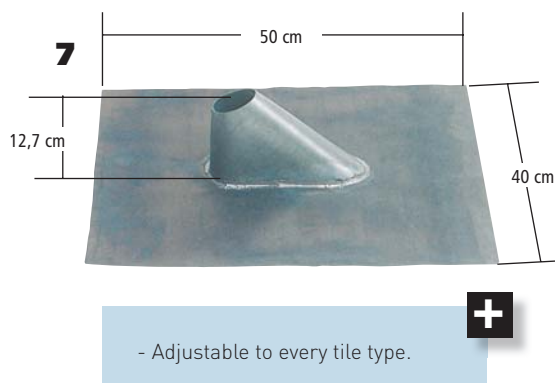
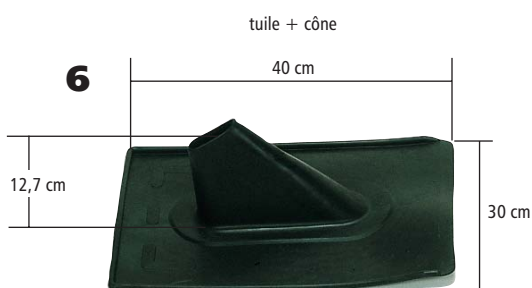
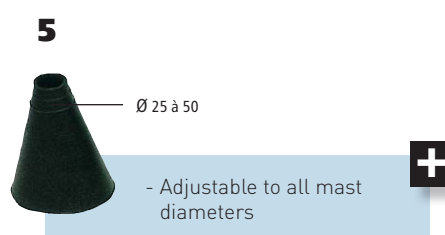
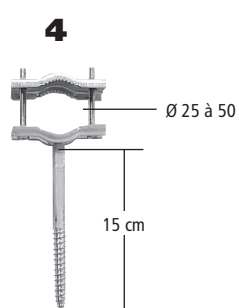
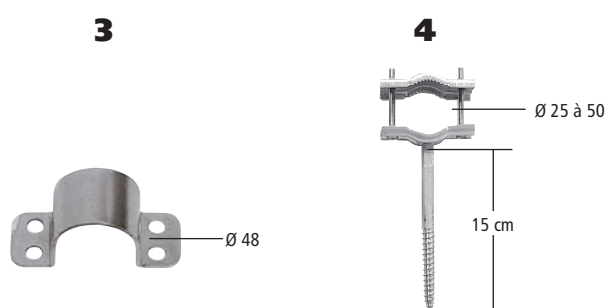
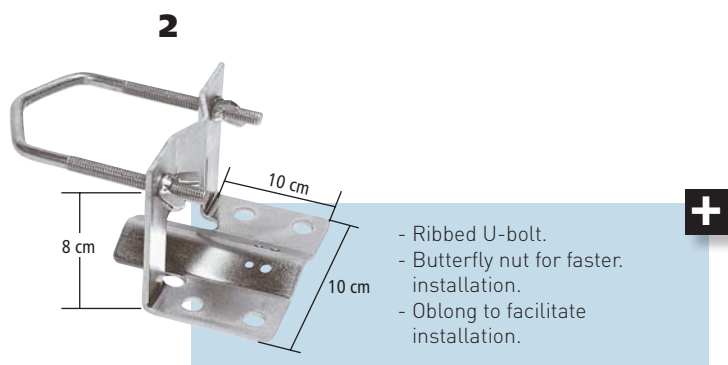
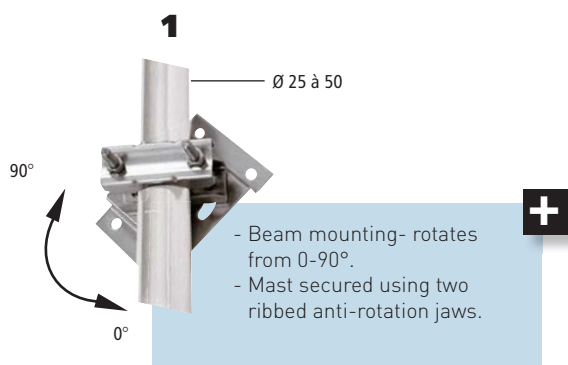


ANGLED-ROOF MOUNTS

Due to more frequent use of attic space, ERARD has developed the angled-roof mount.





Description	White Zinc	Galvanized	Packaged Qty	Unit weight (kg)	Packaged Qty weight (kg)
	Ref.	Ref.			
1 Swiveling beam mount (0 to 90°) for Ø 25 to 50 masts	800881		8	0,46	3,68
2 Mast base Ø 35 to 60 mm	800610		20	0,39	8,00
3 Mast ring Ø 48 mm	800648		20	0,15	3,00
4 Mast ring with twisted lag-screw, length 15 cm with 2 ribbed jaws	800809		10	0,30	2,90
Description	Ref.	Packaged Qty	Unit weight (kg)	Packaged Qty weight (kg)	
5 Polyethylene tile with neoprene waterproof cone for Ø 25 to 50 masts	000841	12	0,40	4,70	
6 Neoprene waterproof cone for Ø 25 to 50 masts. New fabrication, height 14 cm	000801	4	0,05	0,20	
7 Malleable zinc tile, length 50 cm x width 40 cm	001841	1	2,20	2,20	