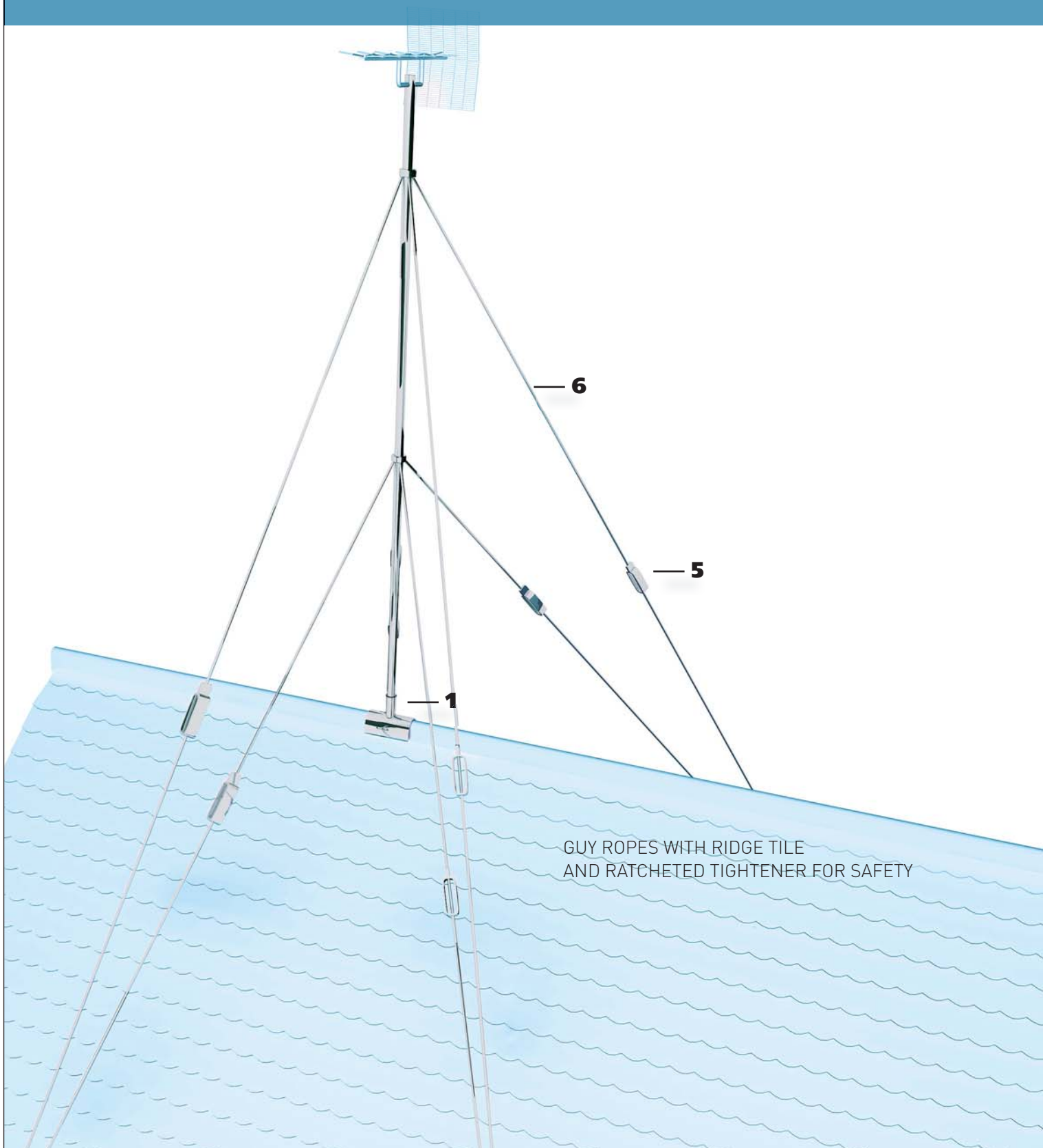


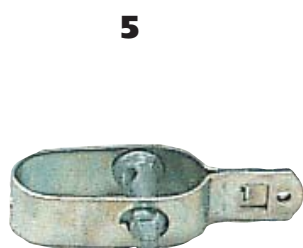
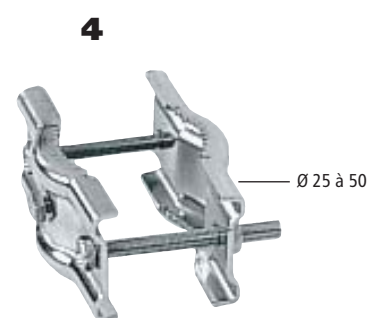
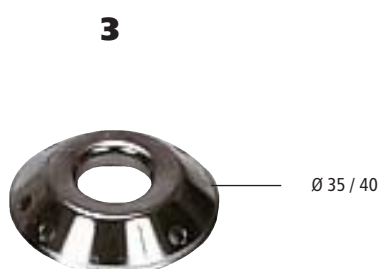
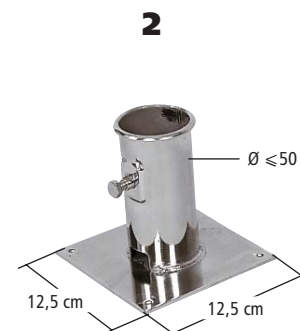
# ANTENNA BRACES

For roof installations without a chimney, ERARD proposes a complete line of antenna braces.

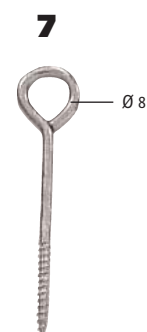




- Suitable for all diameter of masts.
- Supplied with lock screw.



165 m



Description	White Zinc	Galvanized	Packaged Qty	Unit weight (kg)	Packaged Qty weight (kg)
	Ref.	Ref.			
1 Ridge-tile for up to Ø 50 masts	800815		6	1,00	5,90
2 Steel plate for attics and terraces, for up to Ø 50 masts	800842		6	0,60	3,70
3 Collar for antenna braces for Ø 35 masts	800835*		20	0,16	3,20
3 Collar for antenna braces for Ø 40 masts	800840		20	0,16	3,20
4 Collar for antenna braces 2 ribbed jaws for Ø 25 to 50 masts, with screw	800808		20	0,17	3,30
5 Ratcheted tightener and spacer for antenna braces		000803	30	0,10	2,40
6 Iron wire 22/10g, rich galvanized, C Class, 5 kg roll, 165m long		000806	5	5,00	25,00

Description	Ref.	Packaged Qty	Unit weight (kg)	Packaged Qty weight (kg)
7 Lag-screw, twisted, overall length 16 cm, Bichromate zinc plated	000804	20	0,07	1,40

\* While stocks last