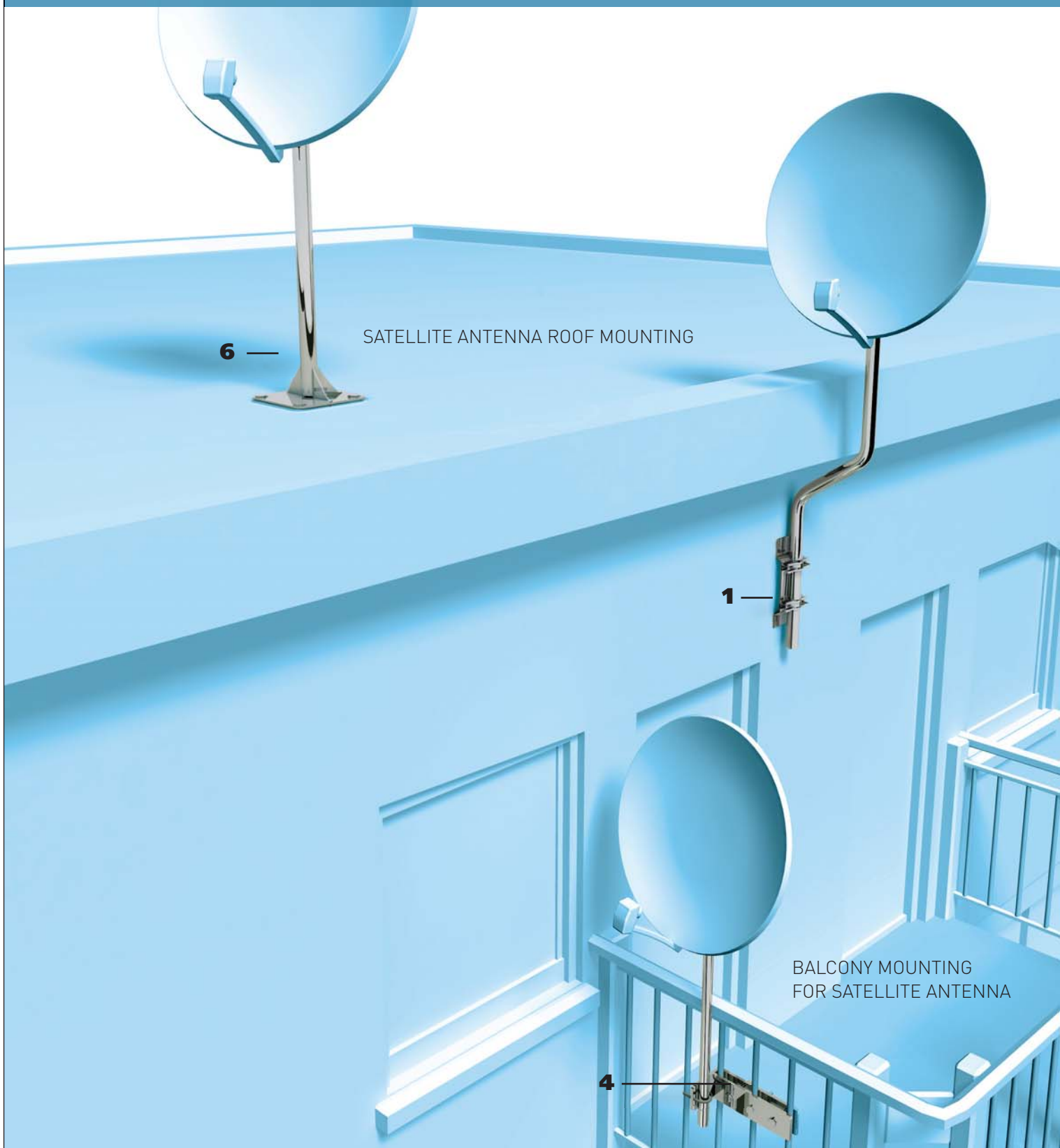


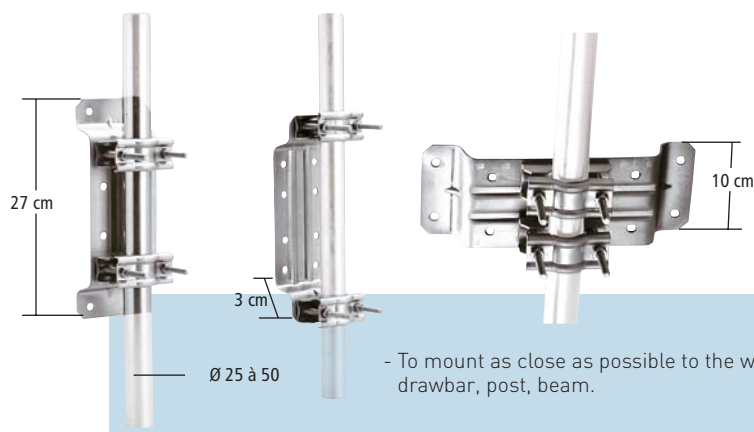
MULTI-USE MOUNTS-BALCONIES AND TERRACES

For any balcony or terrace installation, ERARD has a solution adapted to your configuration.



1

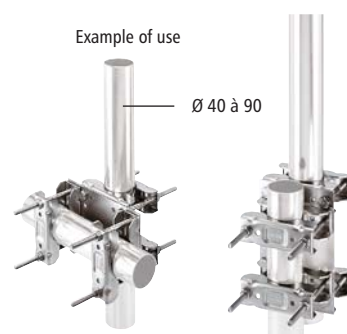
Example of use



- To mount as close as possible to the wall, drawbar, post, beam.

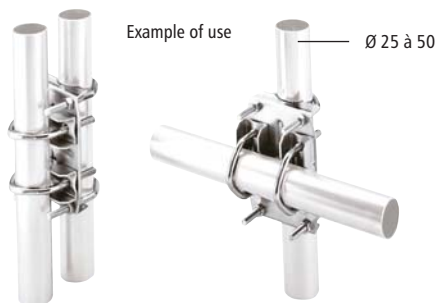
2

Example of use

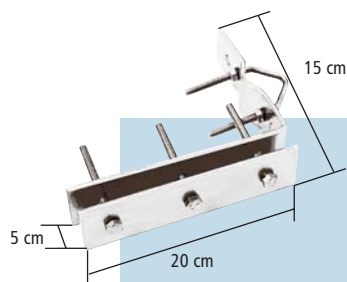


3

Example of use

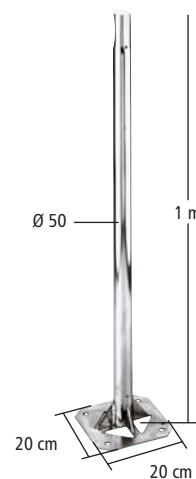


4



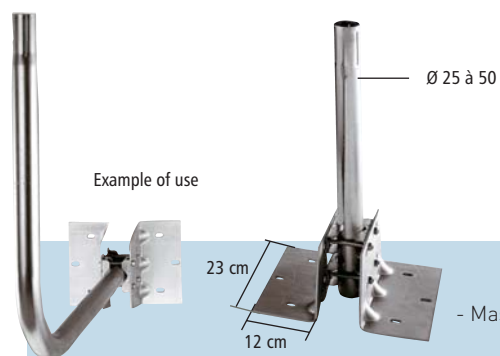
- Made of thick flat iron.
- U bolt.

5



6

Example of use



- Mast cap included.

7



- Suitable for all diameter of masts.
- Supplied with lock screw.

Description	White Zinc	Galvanized	Packaged Qty	Unit weight (kg)	Packaged Qty weight (kg)
	Ref.	Ref.			
1 Multi-use mount for wall, beam, drawbar of caravan for Ø 25 to 50 masts	800880		10	1,03	10,3
2 2 versatile clamps for 2 parallel or perpendicular tubes Ø 40 to 90	800997		1	2,97	2,97
3 2 versatile clamps for 2 parallel or perpendicular tubes Ø 25 to 50	800998		10	0,75	7,5
4 1 pair of balcony mounts, steel 45 x 5 mm for Ø 25 to 50 masts (wrapped in plastic)	800932		1 pair	2,36	2,36
5 Terrace mount, 20 x 20 cm x 4 mm, 1 Ø 50 x 1,5 m welded mast, interlocking with Ø 50 tube	802602	003602	2	3,08	6,16
6 2 versatile clamps for Ø 25 to 50 masts	802606 *		1	3,60	3,60
7 For attics, sundecks and masts up to Ø 50	800842		6	0,60	3,70

* While stocks last