

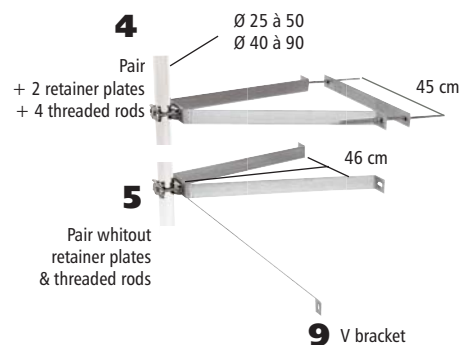
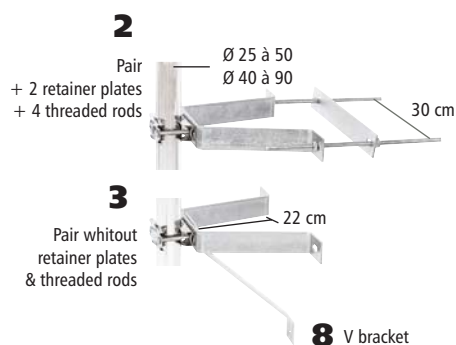
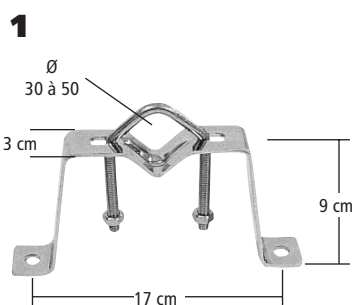
WALL MOUNTS

ERARD Wall Mounts offer a viable alternative to roof installations.



IMPORTANT

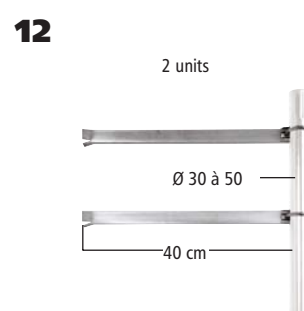
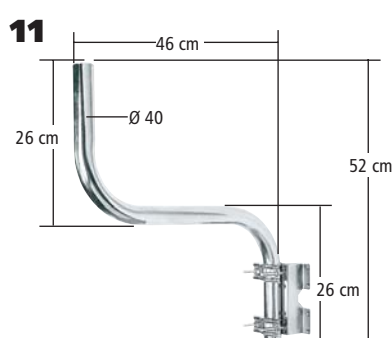
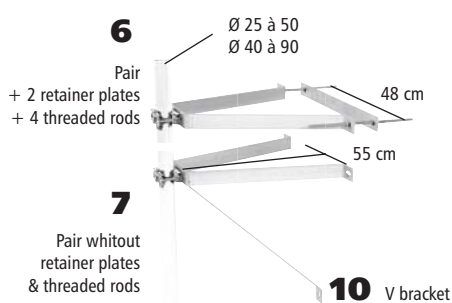
Think about adding a reinforcement arm in cases of heavy load.



- Reinforced mast mounting using ribbed jaws and u bolts



- Made of thick flat iron.
- Reinforced mast mounting using ribbed jaws and u bolts.
- Oblong to facilitate installation.



Description	White Zinc	Galvanized	Packaged Qty	Unit weight (kg)	Packaged Qty weight (kg)
	Ref.	Ref.			
1 Pair of Wall mounts, width 30 x 2,5mm for Ø 30 to 50 masts, center to center distance 17 cm (pair is plastic wrapped)	800852		1 pair	0,56	0,56
The following wall mounts can be installed with ribbed jaws ref 800810 for Ø 40 to 90 masts					
2 Pair of Wall mounts offset 22 cm, steel 45 x 5 mm, center to center distance 30 cm + 2 retainer plates + 4 threaded rods Ø 10, length 35 cm, for Ø 25 to 50 masts	800860		3 pairs	4,80	14,40
3 Pair of Wall mounts offset 22 cm, steel 45 x 5 mm, center to center distance 30 cm without retainer plates and threaded rods	800862		3 pairs	2,90	8,70
4 Pair of Wall mounts offset 46 cm, steel 45 x 5 mm, center to center distance 45 cm + 2 retainer plates + 4 threaded rods Ø 10, length 35 cm, for Ø 25 to 50 masts	800870		3 pairs	7,20	21,60
5 Pair of Wall mounts offset 46 cm, steel 45 x 5 mm, center to center distance 45 cm without retainer plates and threaded rods	800872		3 pairs	4,70	14,10
6 Pair of Wall mounts offset 55 cm, steel 45 x 5 mm, center to center distance 48 cm + 2 retainer plates + 4 threaded rods Ø 10, length 35 cm, for Ø 25 to 50 masts	800890		1 pair	7,90	7,90
7 Pair of Wall mounts offset 55 cm, steel 45 x 5 mm, center to center distance 48 cm without retainer plates and threaded rods	800892		1 pair	5,32	5,32
8 V Bracket supplied with threaded rods Ø 10, length 35 cm for Ref. 800860 and 800862	800861		1	1,00	1,00
9 V Bracket supplied with threaded rods Ø 10, length 35 cm for Ref. 800870 and 800872	800871		1	1,57	1,57
10 V Bracket supplied with threaded rods Ø 10, length 35 cm for Ref. 800890 and 800892	800891		1	1,90	1,90
The wall mounts ref 001862 / 001872 can be installed with ribbed jaws ref 800810 for Ø 40 to 90 masts					
3 Wall mounts, steel 45 x 5 mm for Ø 25 to 50 masts, offset 22 cm, center to center distance 30 cm (pair)		001862	3 pairs	3,00	9,00
6 Wall mounts, steel 45 x 5 mm for Ø 25 to 50 masts, offset 46 cm, center to center distance 45 cm (pair)		001872	3 pairs	4,90	14,70
11 S Shaped Mount-kit for satellite dish (facade or balcony) offset 46 cm, height 52 cm with u bolt and fastenings	800933	001933*	1	2,00	2,00
12 Extra strong binding irons for Ø 30 to 50 masts length 40 cm (pair)	800844		6 pairs	1,5	9,2

* While stocks last